

Kol. Opis1 **COMFORT 15-14 B PM****Paznja! Slika proizvoda se može razlikovati od stvarnog proizvoda**Proizvodni broj: [97916771](#)

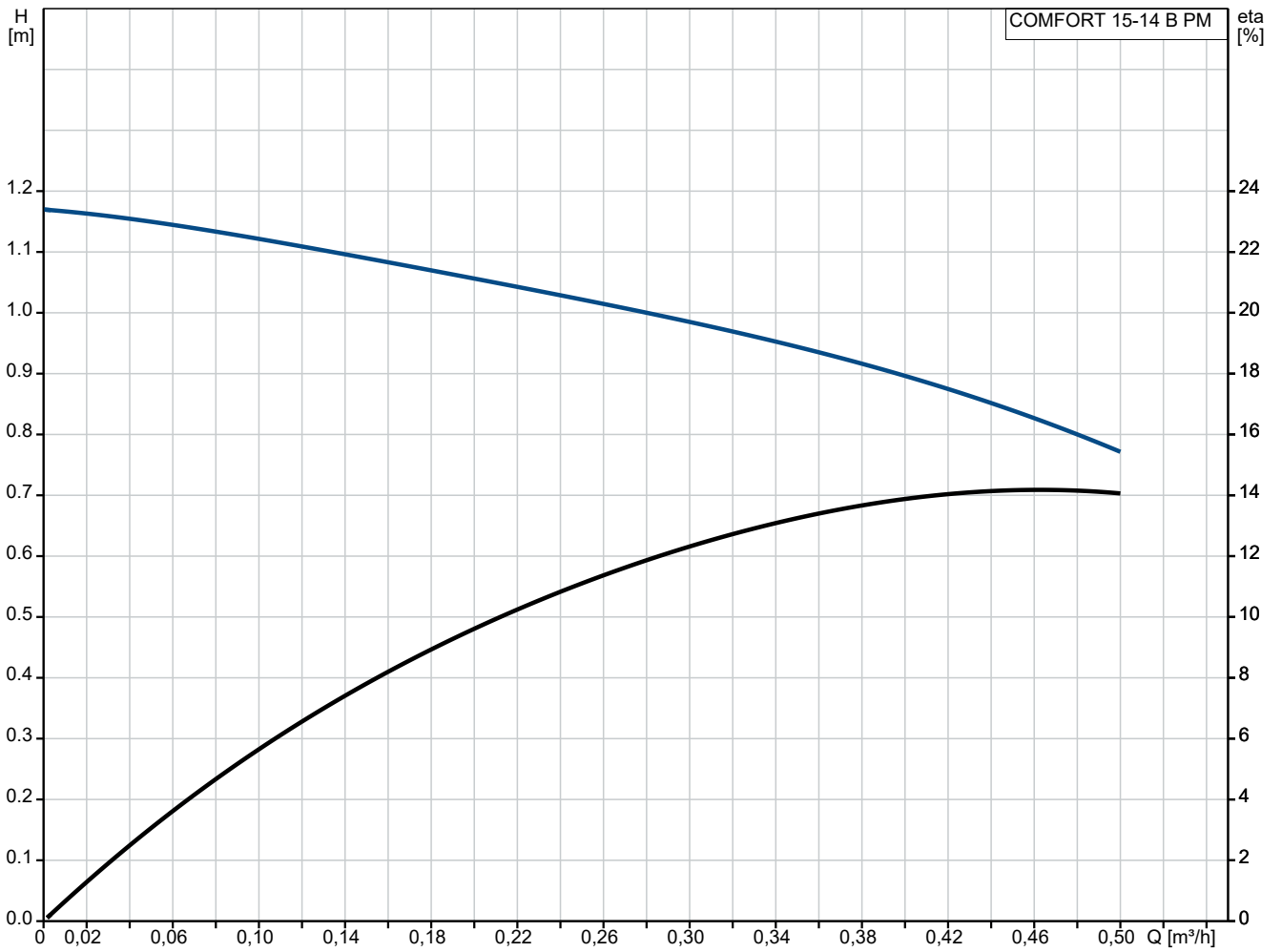
The Grundfos Comfort B PM and BX PM pumps are designed for recirculation of domestic hot water in single-family and two-family houses securing hot water instantly to all faucets.

The pumps have a corrosion-resistant pump housing suitable for drinking water and are powered by a single-phase, high-efficiency ECM with permanent-magnet rotor.

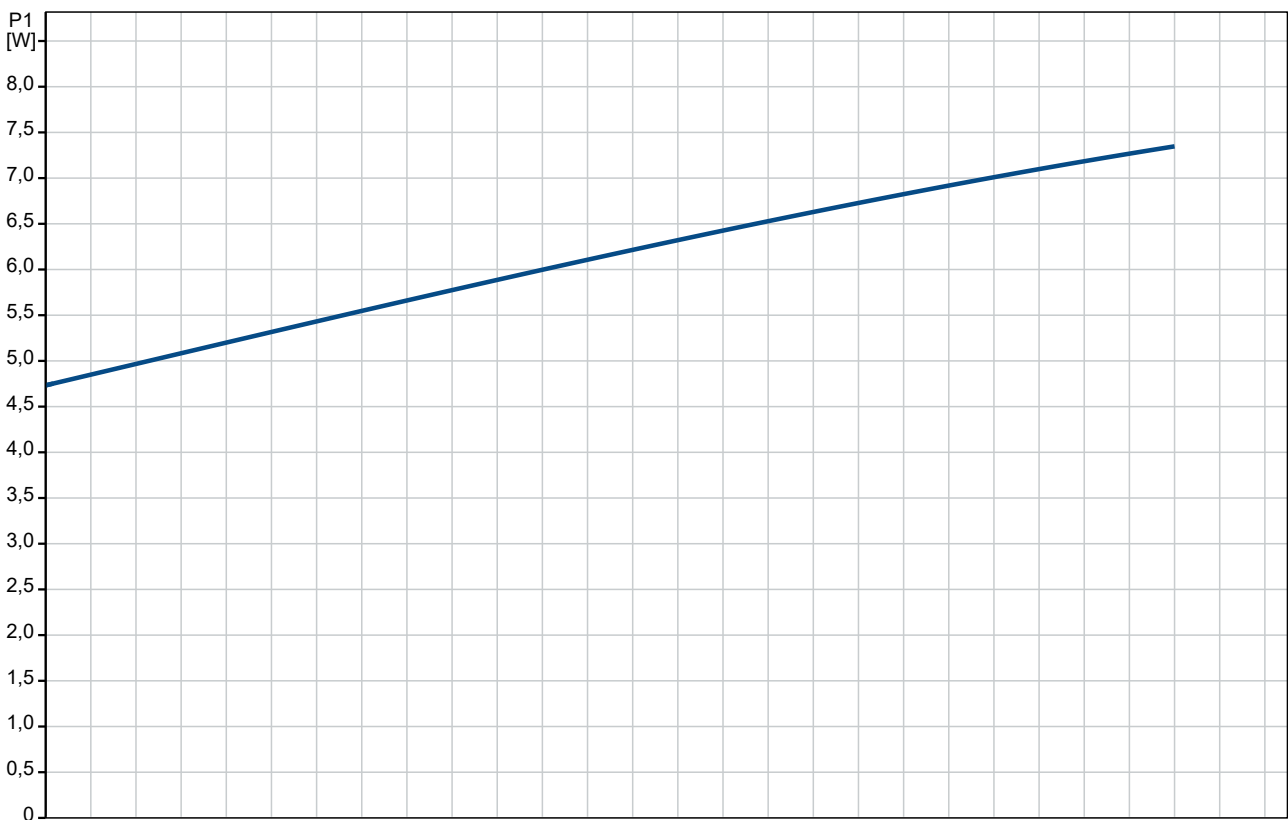
COMFORT B PM and BX PM meet homeowner requirements for continuous operation.

COMFORT BX PM has a built-in isolating valve and a non-return valve (fitting). This ensures that maintenance can be carried out without draining the system. The non-return valve also prevents reversed flow during operation.

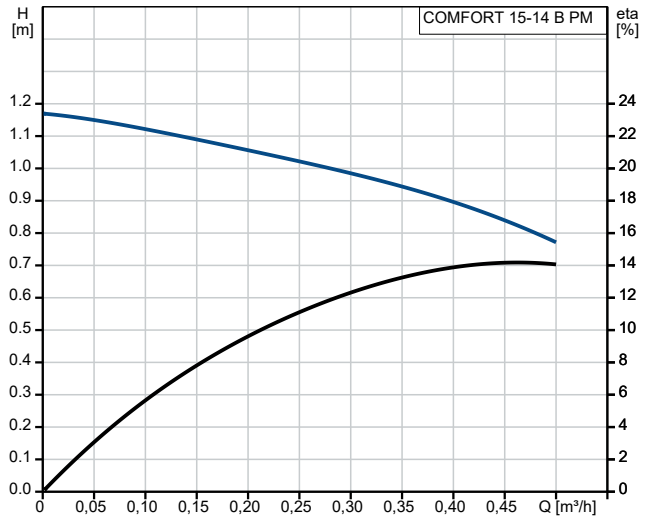
97916771 COMFORT 15-14 B PM



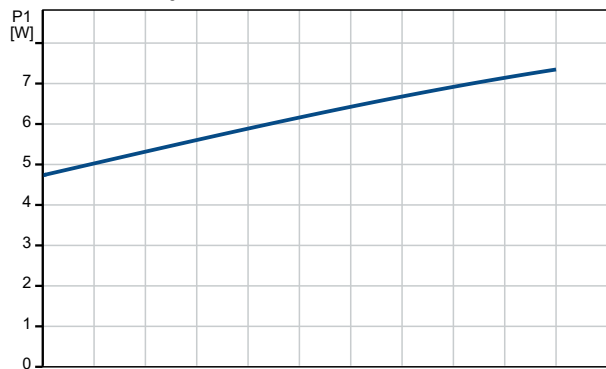
Dizana tečnost = voda
Temperatura tečnosti tokom rada = 60 °C
Gustina = 983.2 kg/m³



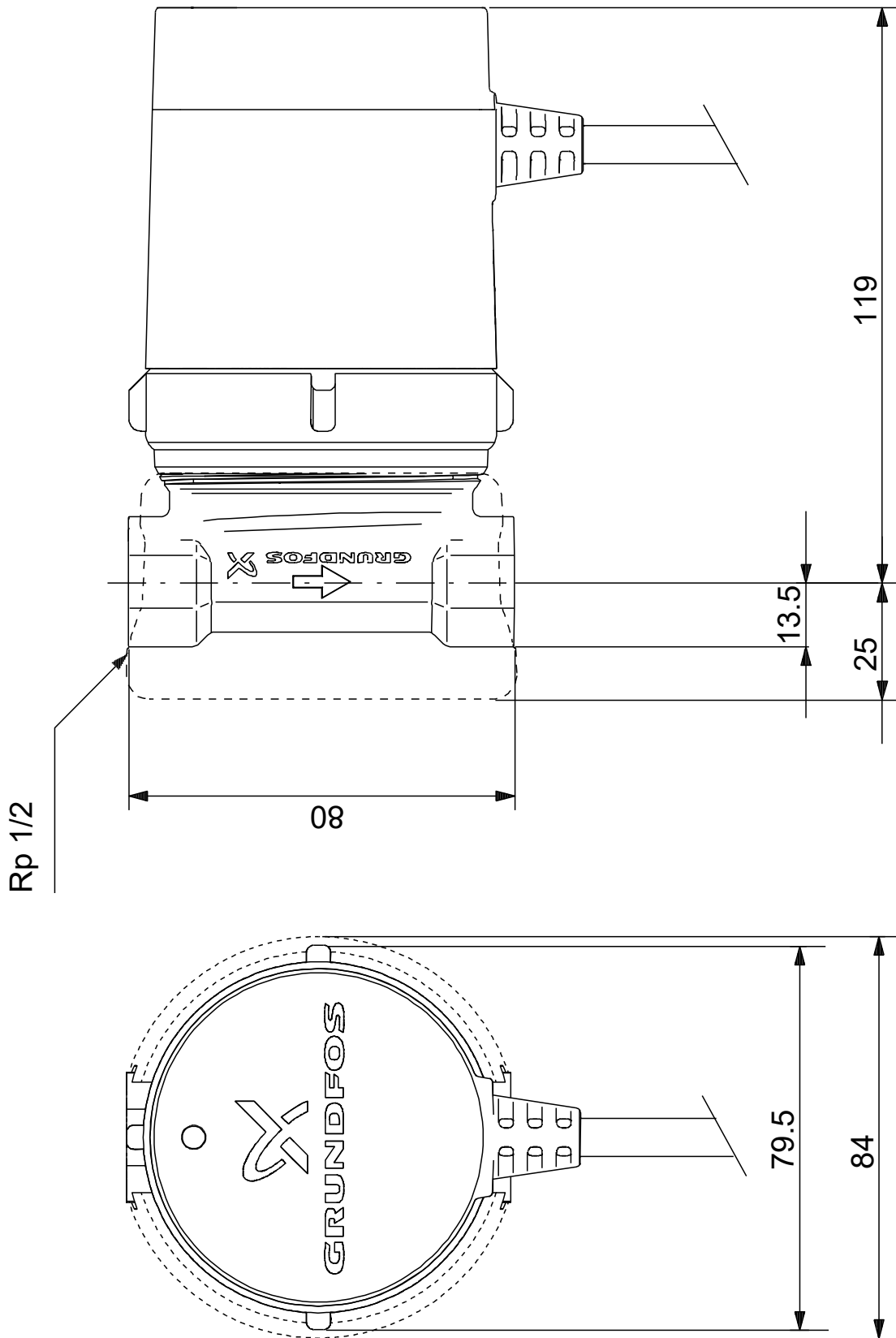
Opis	Vrednost
Opšte informacije:	
Ime proizvoda::	COMFORT 15-14 B PM
Šifra proizvoda:	97916771
EAN broj::	5710626363766
Tehnički:	
Broj brzina:	1
Nazivni protok:	0.41 m ³ /h
Rated head:	0.9 m
Maximum head:	14 dm
TF klasa:	95
Approvals:	CE,VDE,EAC,WEEE
Materijali:	
Kučiče pumpe:	Mesing
Pump housing:	CuZn39Pb3, MS58
Rotor:	Kompozitni
Radno kolo:	PES+30% GF
Ugradnja:	
Minimum ambient temperature:	0 °C
Maksimalni radni pritisak:	10 bar
Type of connection:	Rp
Size of connection:	1/2 inch
Pressure rating for connection:	PN 10
Port-to-port length:	80 mm
Tečnost:	
Dizana tečnost:	voda
Raspon temperature tečnosti:	2 .. 95 °C
Selected liquid temperature:	60 °C
Gustina:	983.2 kg/m ³
Elektro podaci:	
Max. ulazna snaga:	7 W
Frekvencija struje:	50 / 60 Hz
Rated voltage:	1 x 230 V
Utrošak struje u brzini 3:	0.07 A
Veličina kondenzatora - radni:	0.6 µF
Klasa zaštite (IEC 34-5):	IP44
Insulation class (IEC 85):	F
Built-in motor protection:	ELEKT.
Termička zaštita:	Impedansna zaštita
Kontrole:	
Operation mode include:	NIJEDAN
Ostali:	
Net weight:	0.94 kg
Gross weight:	1.04 kg
Shipping volume:	0.003 m ³
Danski VVS Br.:	380634004
Swedish RSK No.:	5803089
Finnish LVI No.:	4615601
Norwegian NRF no.:	9042114
Country of origin:	DE
Custom tariff no.:	84137030



Dizana tečnost = voda
 Temperatura tečnosti tokom rada = 60 °C
 Gustina = 983.2 kg/m³



97916771 COMFORT 15-14 B PM



Napomena! Sve jedinice su u [mm] ukoliko drugačije nije navedeno.
Upozorenje: Ovaj pojednostavljeni dimenzioni crtež ne pokazuje sve detalje.