

Wired controller: KJR-18B



Part number

KJR-18B: Control Motorized Valve and 3-speed fan, when the temperature reaches the set-point, it will close the Motorized Valve and Fan both.

KJR-18B wired controller is available for Duct type FCU.

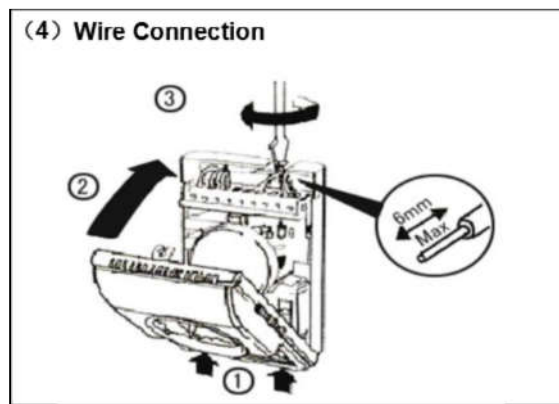
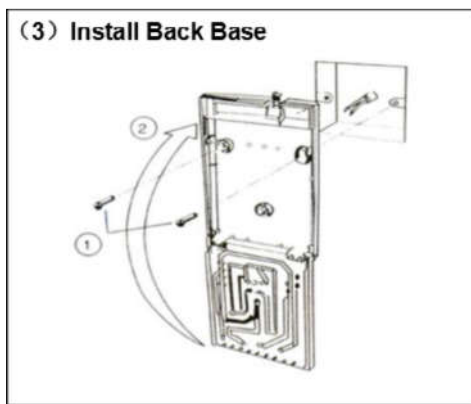
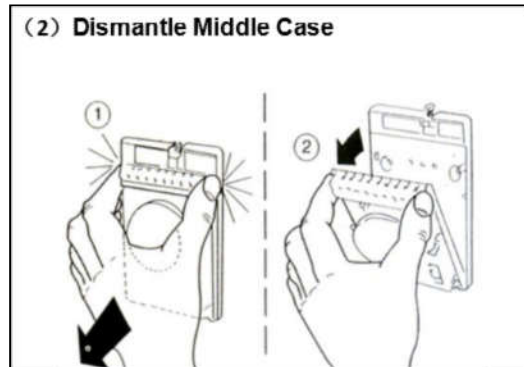
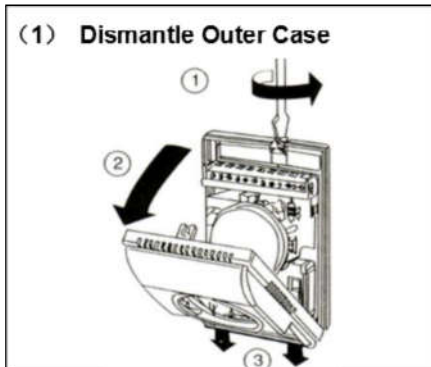
Model	Applied equipment	Function
KJR-18B	2-pie duct	When T1-Ts: fan is off, valve is off
Notes: T1 is Room temperature; Ts is Setting temperature		

Technical data

Temperature Range:	10~30°C adjustable	Operating Voltage:	AC220V±10%, 50/60Hz
Switching Differential:	Approx. ±1°C	Switch current rating:	1(0.5)A
Operating Temperature:	0~45°C	Wiring Diameter:	0.5~2.5mm ²
Operating Humidity:	5~90%RH	Dimension:	130×85×43mm(H×W×D)
Storage Temperature:	-10~60°C	Hole pitch:	60mm

Operation& installation introduction

1. Mounting instruction



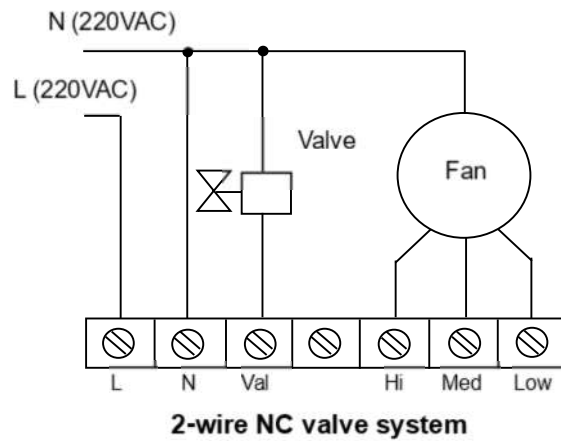
2. Operation instruction

There is temperature adjusting knob with scale mark on the front panel. There are also the Fan Speed Switch with HIGH-MED-LOW and the System Switch with HEAT-OFF-COOL on the front panel. The operation steps as follows:

1. Turn On/Off: Slide the switch to HEAT when you want heating; slide the switch to COOL when you want cooling. Set the switch to OFF, the thermostat will be turned off.
2. Set point: turn the adjusting knob to the desired temperature.
3. Fan Speed Selection: slide the fan speed switch to any positions of HIGH-MED-LOW you wanted.

3. Wiring diagram

For models: KJR-18B



4. Wire Attention

The correct model is compliant with the part number on packing label of thermostat box; please check out the correct model and use correct wiring diagram above when you wire.

Note:

Be sure to connect all the wires as per the wiring diagrams and keep it away from water, mud and other material so as to prevent the unit being spoiled!