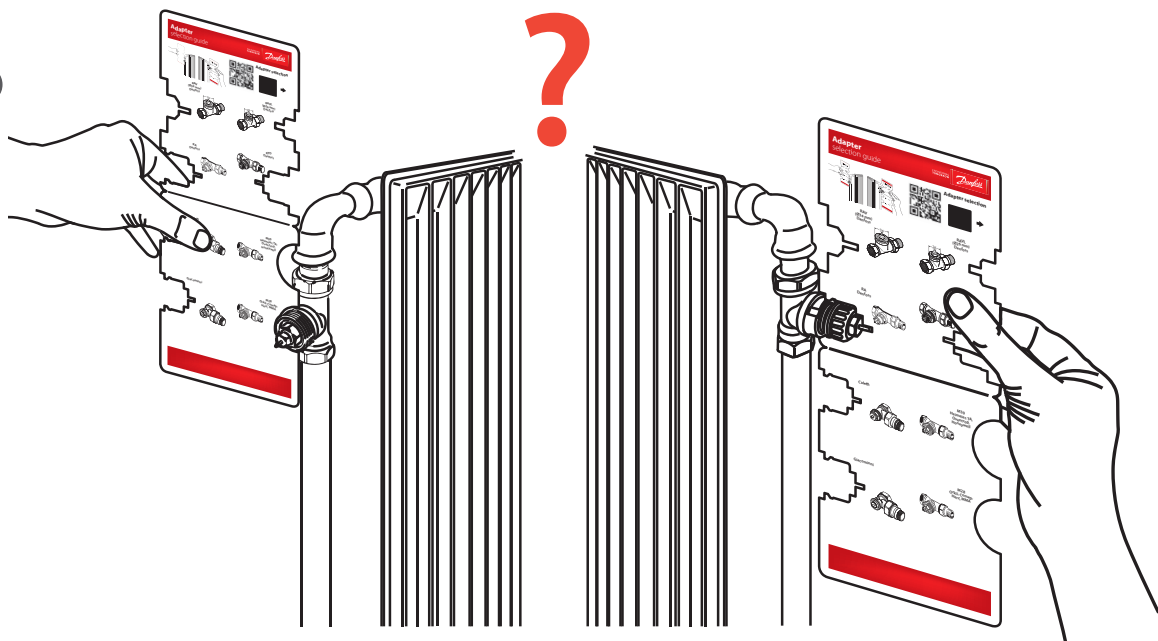


1.



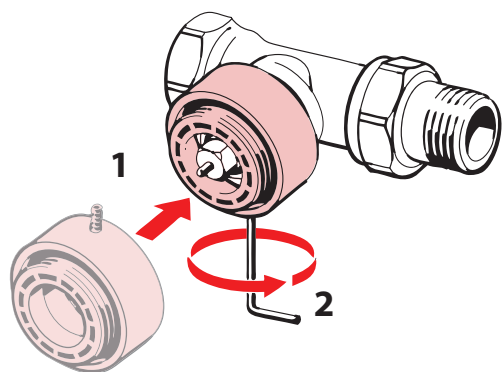
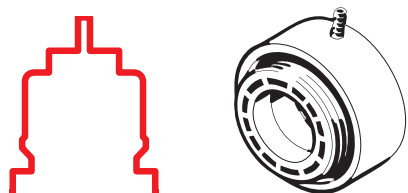
Adapter selection



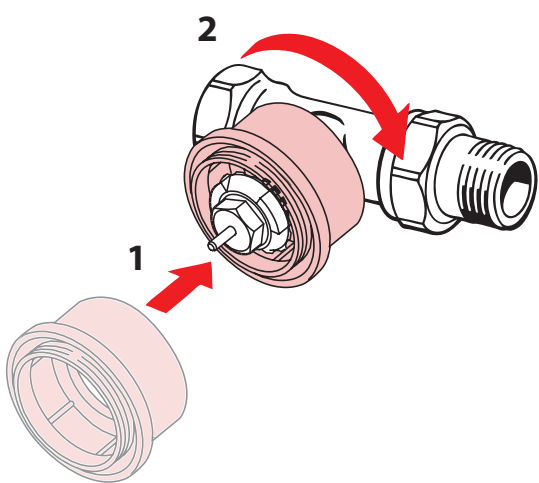
Danfoss Eco
Electronic radiator thermostat
Quick Guide

SELECT ADAPTER

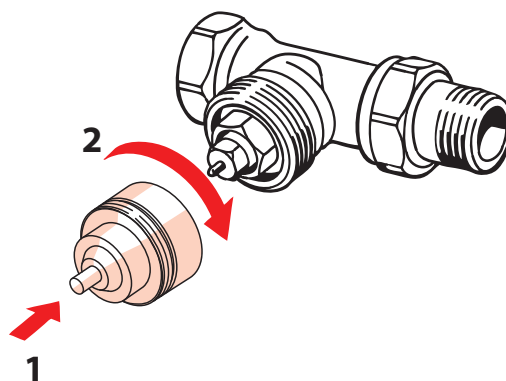
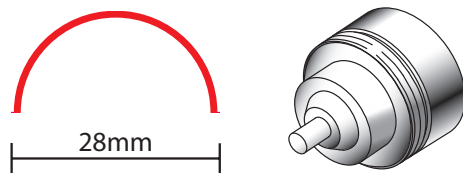
RA



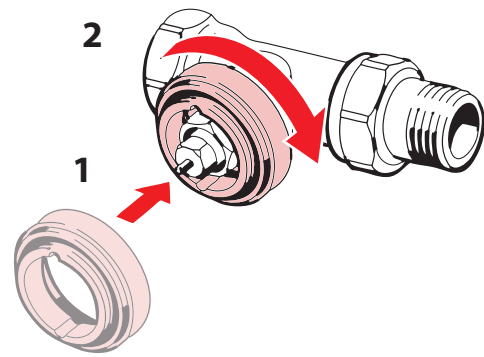
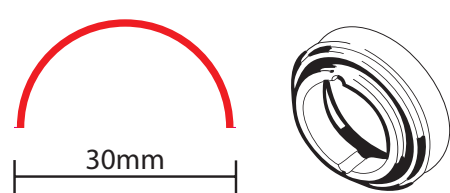
RTD



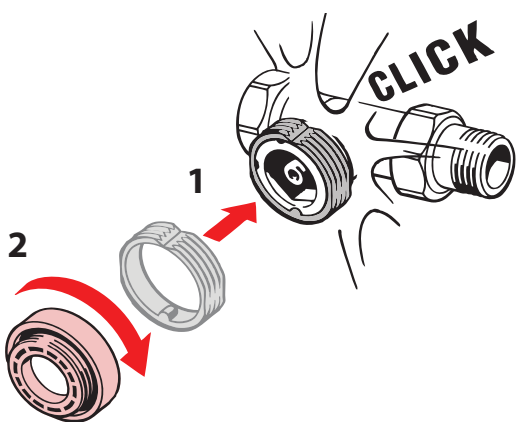
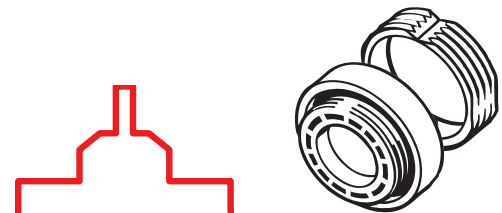
M28



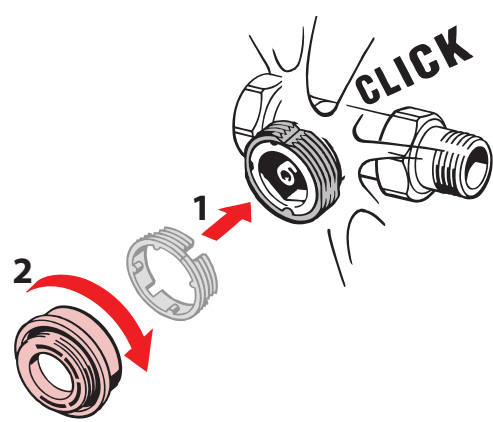
M30



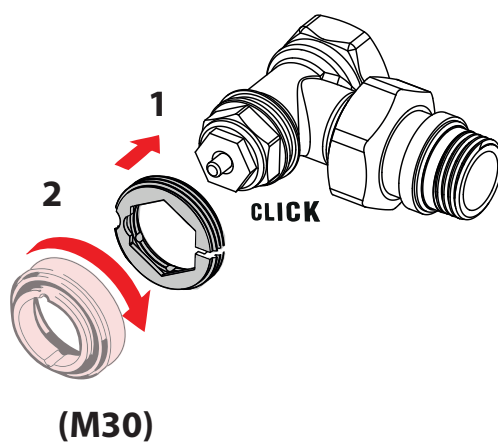
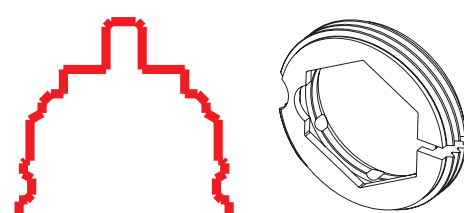
RAV



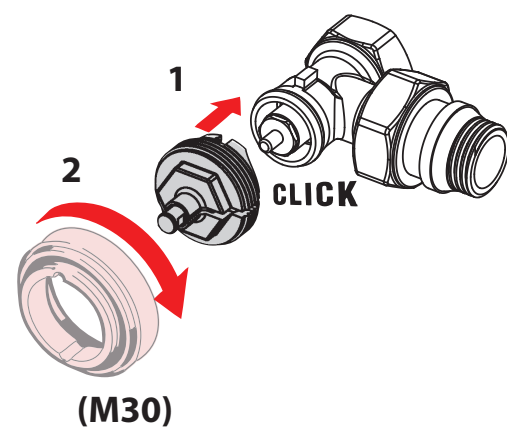
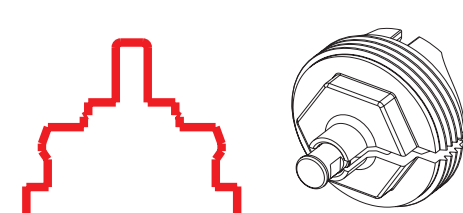
RAVL



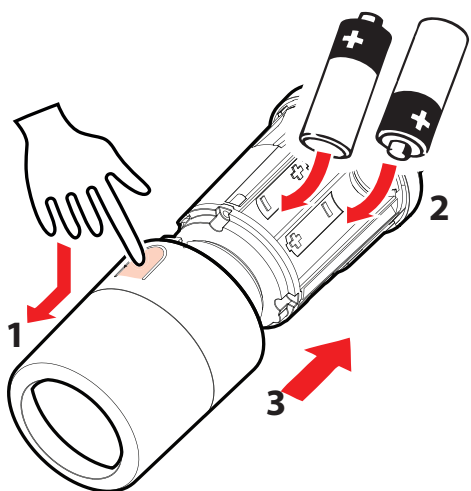
CALEFFI



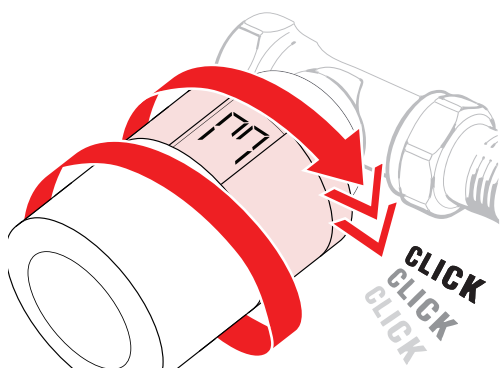
GIACOMINI



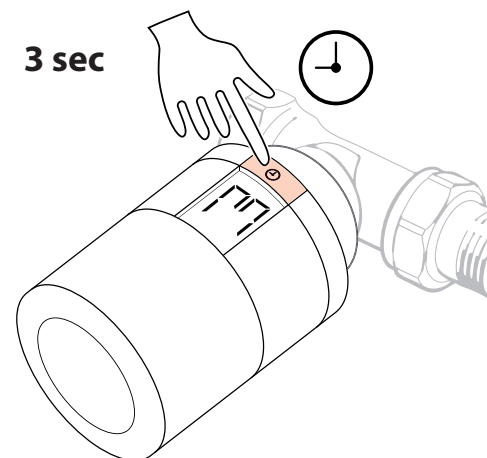
2.a.



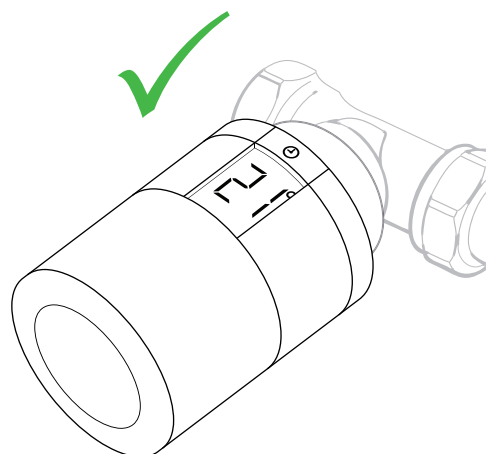
b.



c.



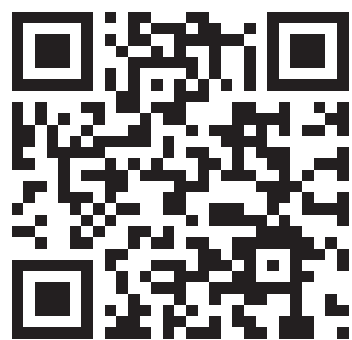
d.



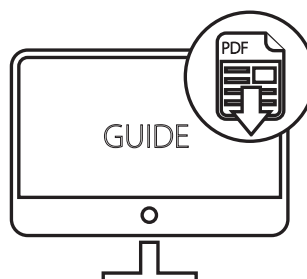
3. Download App



Danfoss Eco



4. Download Guide



smartheating.danfoss.com

Safety precautions
Tested for safety and EMC requirements as specified in EN 60730-1, EN 60730-2-7, EN 60730-2-9, EN 60730-2-14, EN 61000-4-2, EN 61000-4-3 and RED directive.

UK NOTE: The optimum performance comes when the Danfoss Eco™ is mounted in the flow of the radiator. Danfoss Eco™ can also be mounted in the return as long as the radiator length is less than 1.6 meter.

The thermostat is not intended for children and must not be used as a toy. Do not leave packaging materials where children may be tempted to play with them, as this is extremely dangerous. Do not attempt to dismantle the thermostat as it contains no user-serviceable parts. If error code E1, E2 etc. is shown in the display or other defects appear, please return the thermostat to the distributor.

Danfoss A/S
Haarupvaenget 11
DK-8600 Silkeborg
Denmark
Phone: +45 7488 8000
Fax: +45 7488 8100
Homepage: www.danfoss.com

Danfoss can accept no responsibility for possible errors in catalogues, brochures and other printed material. Danfoss reserves the right to alter its products without notice. This also applies to products already on order provided that such alterations can be made without subsequent changes being necessary in specifications already agreed. All trademarks in this material are property of the respective companies. Danfoss and the Danfoss logotype are trademarks of Danfoss A/S. All rights reserved.

