

**Kol. Opis**1 **COMFORT 15-14 BXDT PM****Paznja! Slika proizvoda se može razlikovati od stvarnog proizvoda**Proizvodni broj: [99831281](#)

The high-efficiency Grundfos COMFORT BDT PM and BXDT PM pumps are designed for recirculation of domestic hot water in single-family and two-family houses securing hot water instantly to all faucets.

The pumps have a corrosion-resistant pump housing suitable for drinking water and are powered by a single-phase, high-efficiency ECM with permanent-magnet rotor.

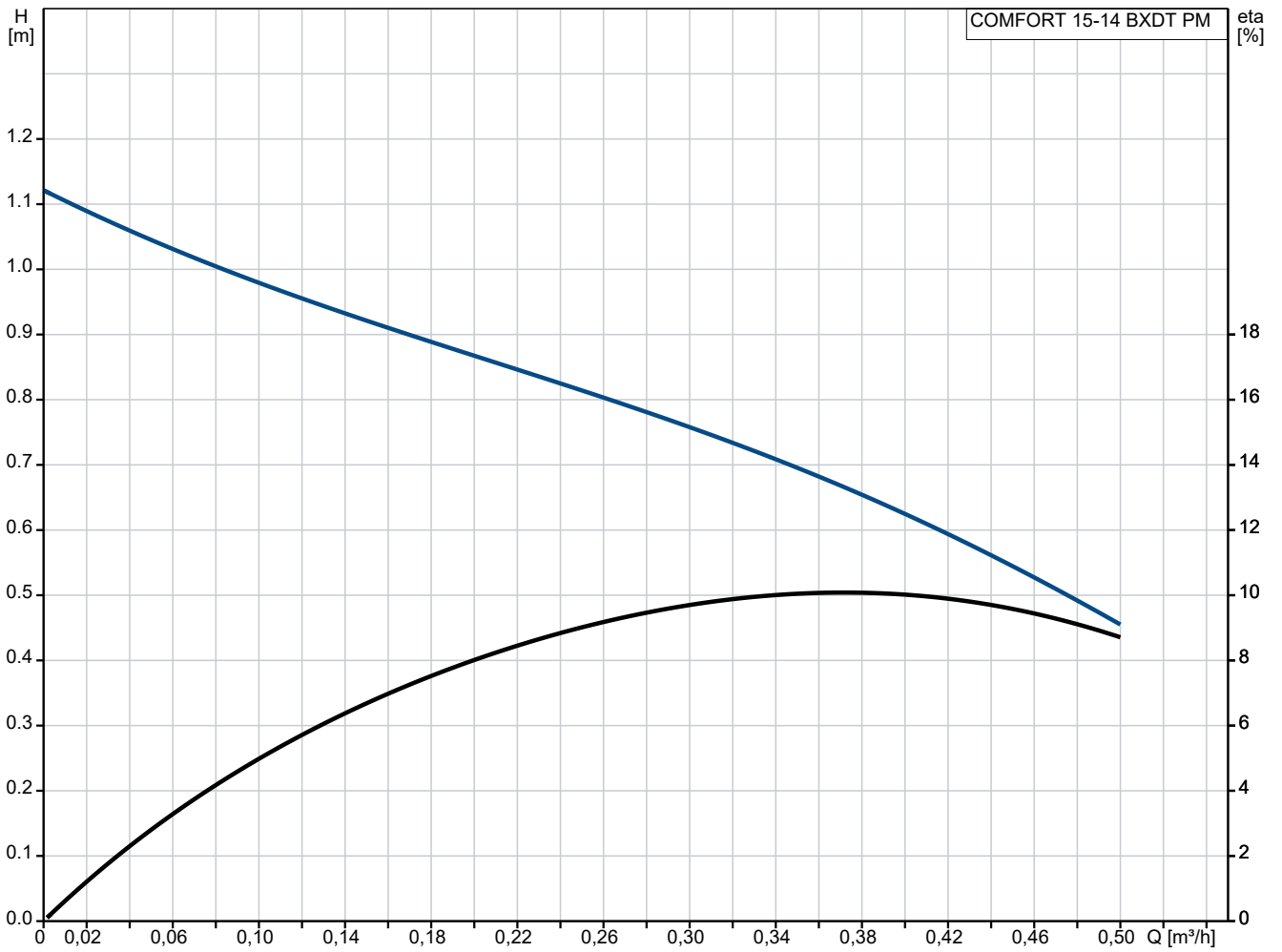
The integrated digital timer has been developed for domestic hot-water recirculation in systems with either hot-water tanks or plate heat exchangers for hot-water production.

The timer allows you to customize the pump's operating periods, ensuring optimal comfort while lowering energy costs.

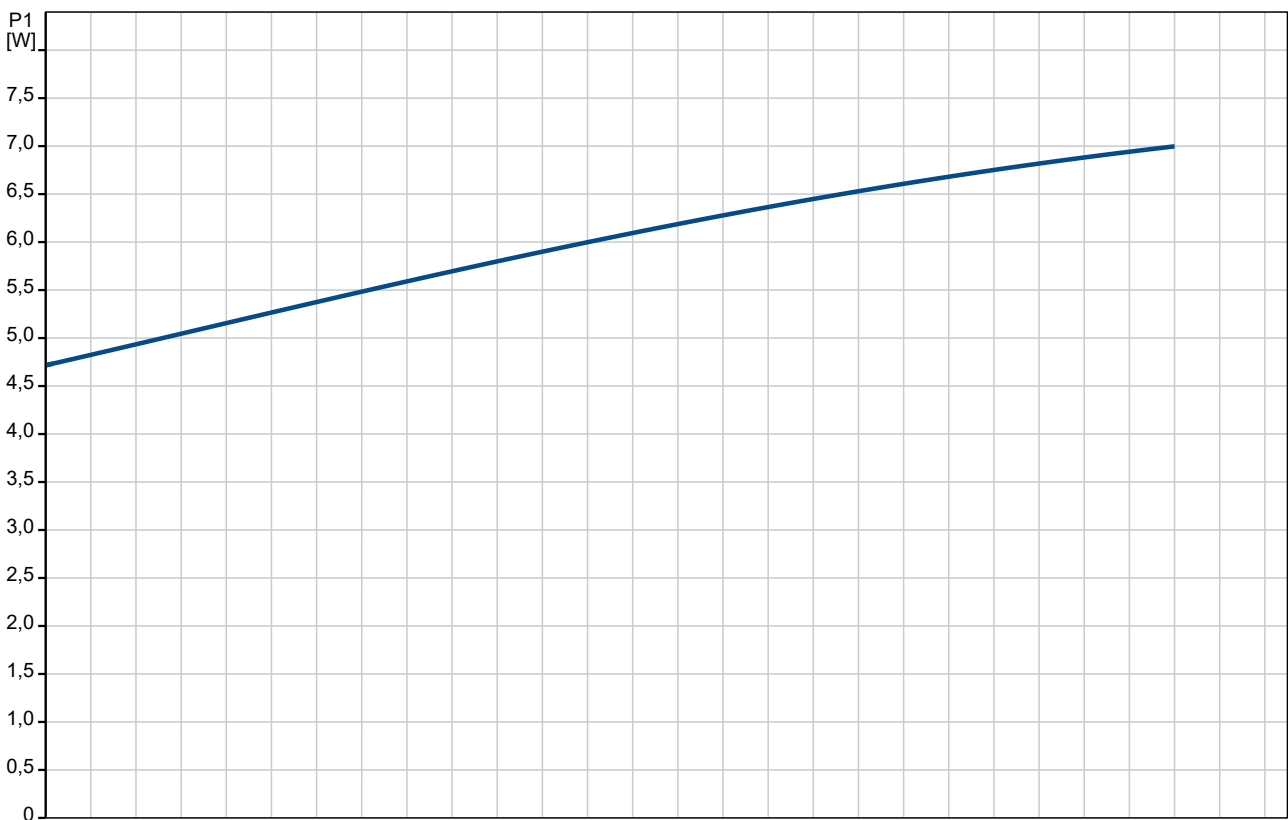
Additionally, the pump can be set to continuous operation 100 % for commissioning of the pump or 24 hours instant hot water.

COMFORT BXDT PM has a built-in isolating valve and a non-return valve (fitting). This ensures that maintenance can be carried out without draining the system. The non-return valve also prevents reversed flow during operation.

# 99831281 COMFORT 15-14 BXDT PM



Dizana tečnost = voda  
Temperatura tečnosti tokom rada = 60 °C  
Gustina = 983.2 kg/m<sup>3</sup>



Opis	Vrednost
------	----------

**Opšte informacije:**

Ime proizvoda:: COMFORT 15-14 BXDT PM  
 Šifra proizvoda: 99831281  
 EAN broj:: 5713834895494

**Tehnički:**

Broj brzina: 1  
 Nazivni protok: 0.33 m³/h  
 Rated head: 0.78 m  
 Maximum head: 14 dm  
 TF klasa: 95  
 Approvals: CE, VDE, EAC, WEEE  
 Y = pumpa s ugrađenim izolacijskim i kontrapovratnim ventilima: pumpa sa ugrađenim izolacionim i nepovratnim ventilom

**Materijali:**

Kućište pumpe: Mesing  
 Pump housing: CuZn39Pb3, MS58  
 Rotor: Kompozitni  
 Radno kolo: PPO-GF20/Stainless steel

**Ugradnja:**

Minimum ambient temperature: 0 °C  
 Maksimalni radni pritisak: 10 bar  
 Type of connection: G  
 Size of connection: 1 inch  
 Pressure rating for connection: PN 10  
 Port-to-port length: 140 mm

**Tečnost:**

Dizana tečnost: voda  
 Raspon temperature tečnosti: 2 .. 95 °C  
 Selected liquid temperature: 60 °C  
 Gustina: 983.2 kg/m³

**Elektro podaci:**

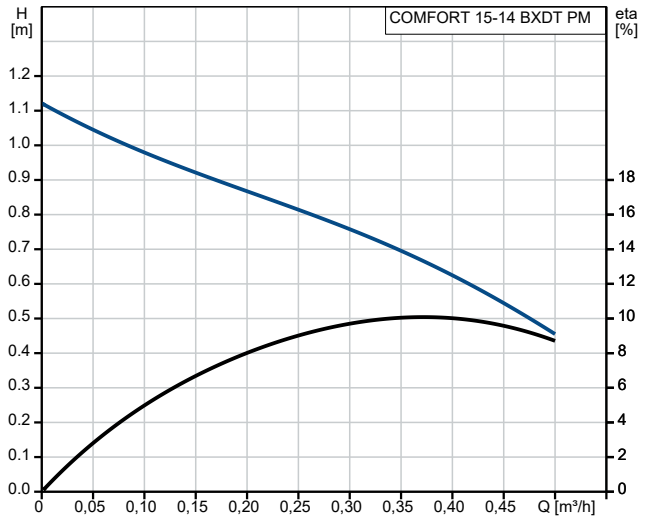
Max. ulazna snaga: 7 W  
 Frekvencija struje: 50 / 60 Hz  
 Rated voltage: 1 x 230 V  
 Utrošak struje u brzini 3: 0.07 A  
 Klasa zaštite (IEC 34-5): IP44  
 Insulation class (IEC 85): F  
 Built-in motor protection: ELEKT.  
 Termička zaštita: Impedansna zaštita

**Kontrole:**

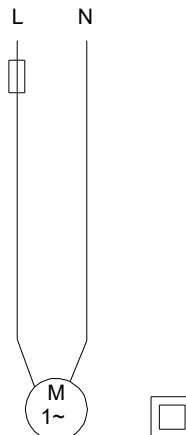
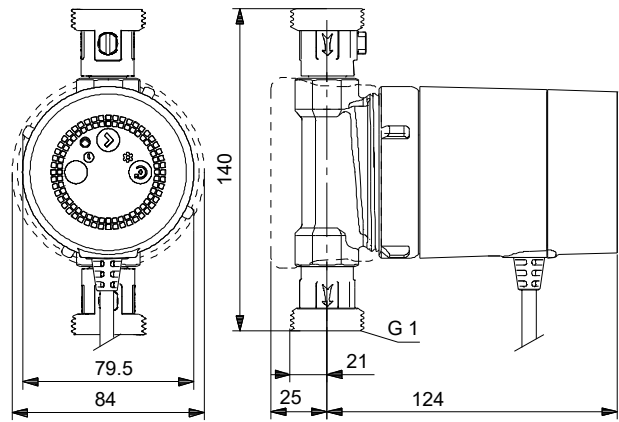
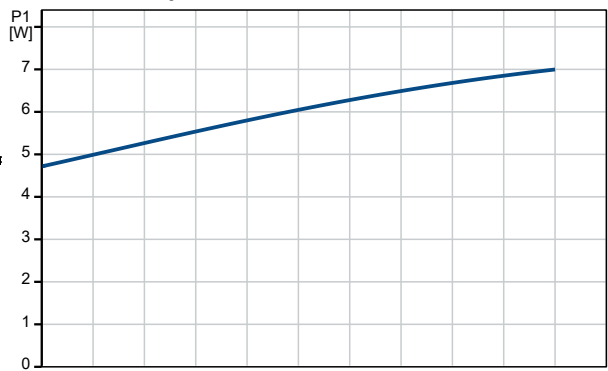
Operation mode include: Tajmer

**Ostali:**

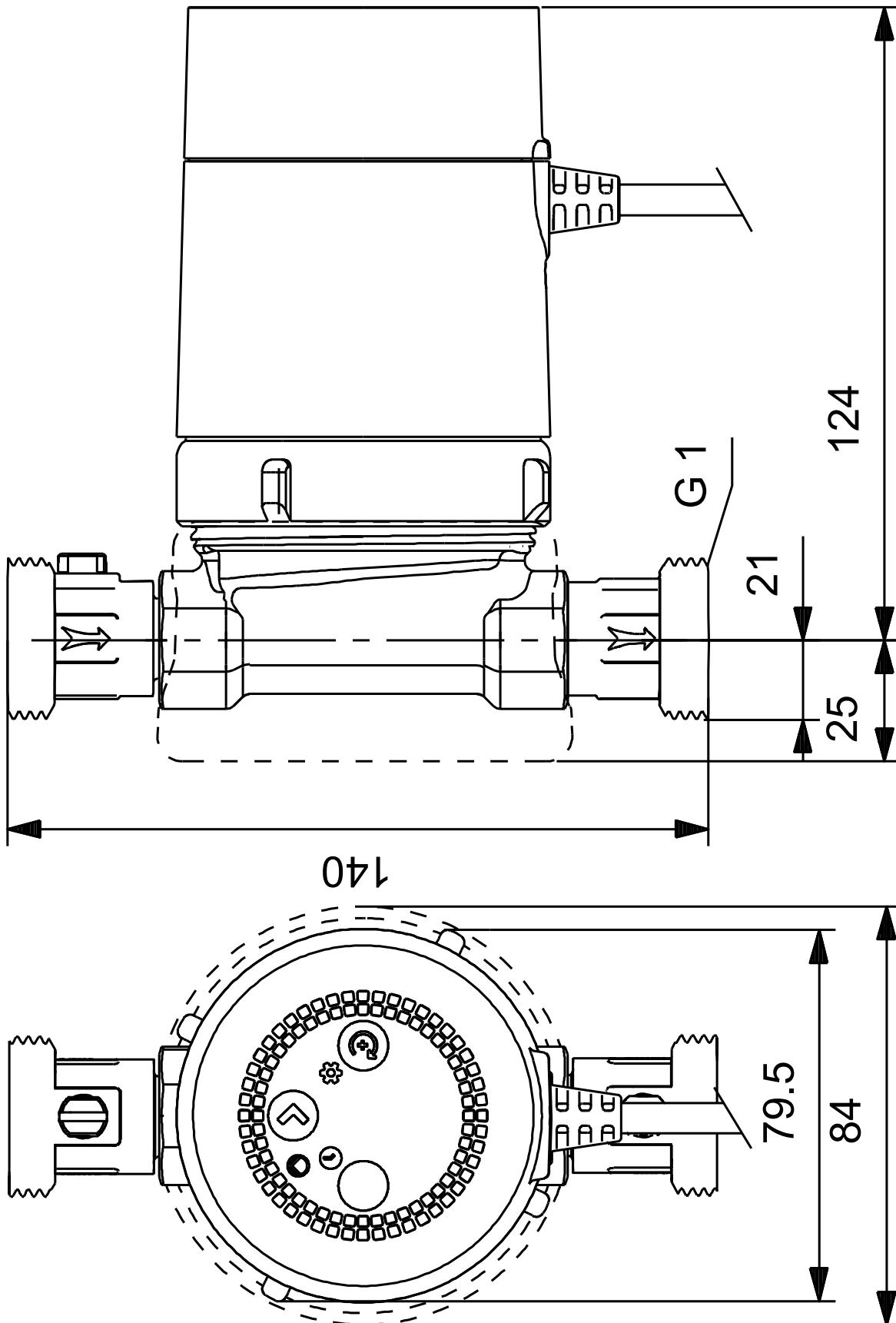
Net weight: 1.14 kg  
 Gross weight: 1.24 kg  
 Shipping volume: 0.003 m³  
 Swedish RSK No.: 5790549



Dizana tečnost = voda  
 Temperatura tečnosti tokom rada = 60 °C  
 Gustina = 983.2 kg/m³



# 99831281 COMFORT 15-14 BXDT PM



Napomena! Sve jedinice su u [mm]ukoliko drugačije nije navedeno.  
Upozorenje: Ovaj pojednostavljeni dimenzioni crtež ne pokazuje sve detalje.