

Kol. Opis1 **COMFORT 15-14 BA PM**

Paznja! Slika proizvoda se može razlikovati od stvarnog proizvoda

Proizvodni broj: [97916757](#)

The Grundfos Comfort BA PM and BXA PM pumps are designed for recirculation of domestic hot water in single-family and two-family houses securing hot water instantly to all faucets.

The pumps have a corrosion-resistant pump housing suitable for drinking water and are powered by a single-phase, high-efficiency ECM with permanent-magnet rotor.

The AUTOADAPT function incorporates an event log that learns the scheme of demand for hot water in the domestic hot-water system.

Via the event log, the pump predicts when to start circulating hot water ensuring hot water is instantly available at all use points.

Should the consumption pattern change, for example during holidays, the pump will recognise the standstill after 24 hours and automatically adapts to holiday mode.

When returning from holiday, the pump will automatically resume the same consumption pattern as before the holiday.

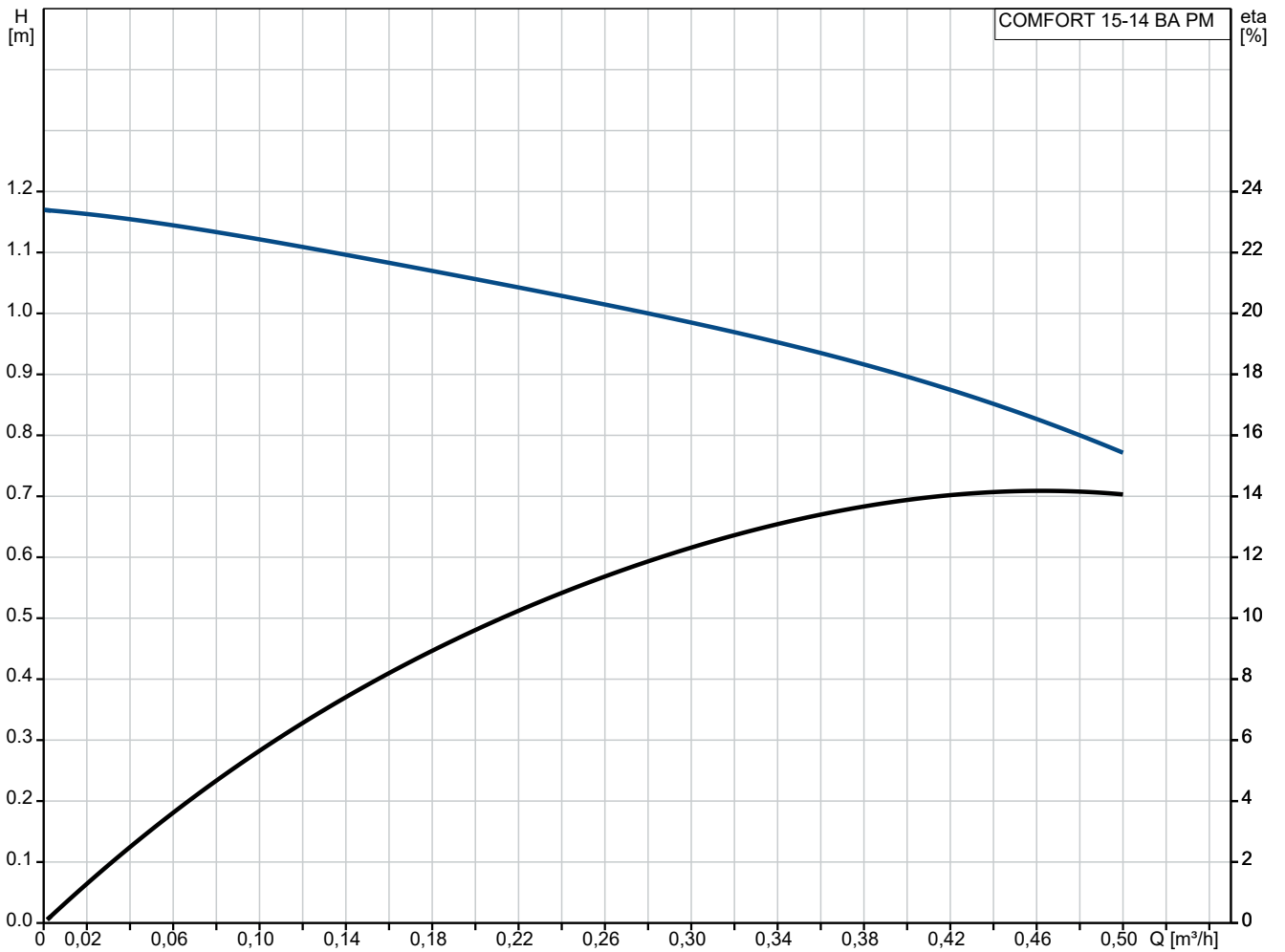
The unique AUTOADAPT feature is saving up to 48 % heat energy and 97 % motor energy compared with a standard pump in continuous operation.

Additionally, the pump can be set to temperature control mode and continuous operation 100 % for commissioning of the pump or 24 hours instant hot water.

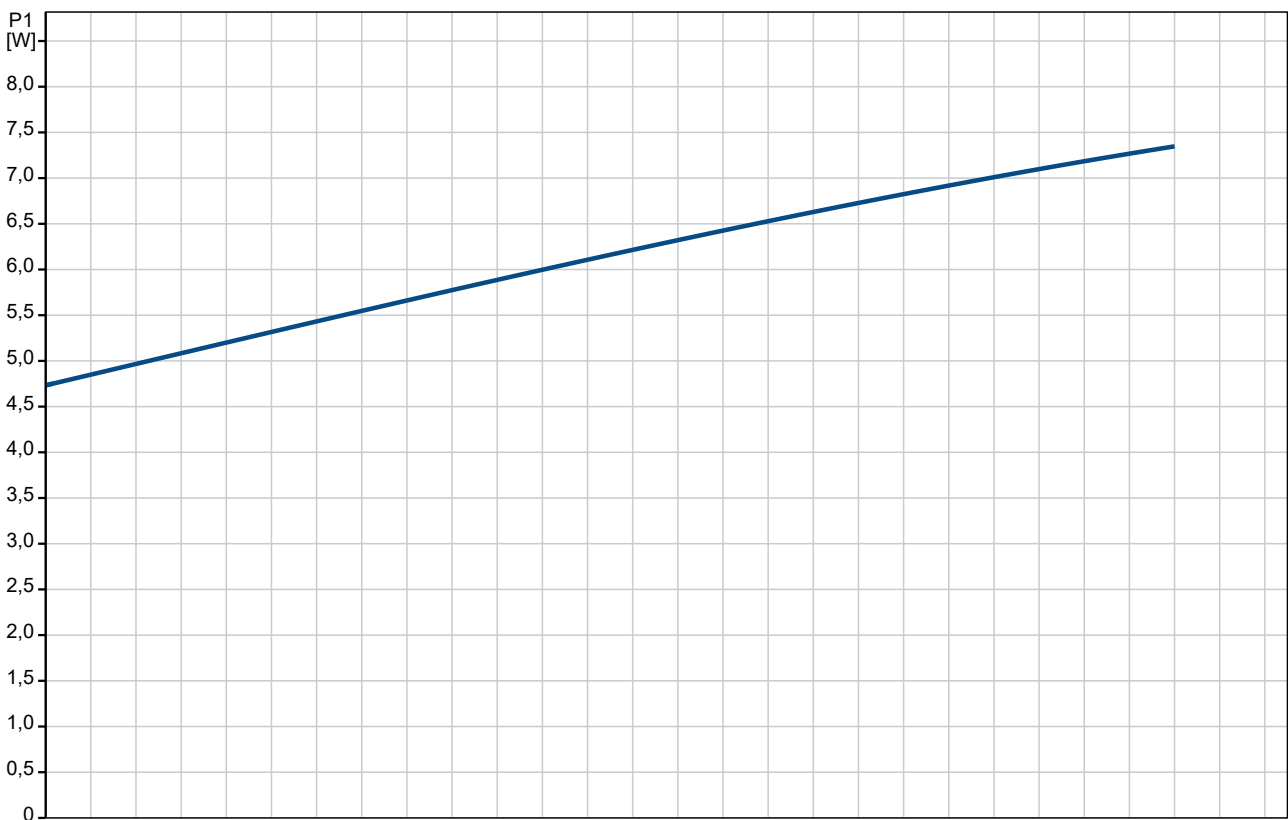
The pumps are equipped with a flushing and disinfection function which automatically circulates water to protect against bacterial growth in the pipes.

COMFORT BXA PM has a built-in isolating valve and a non-return valve (fitting). This ensures that maintenance can be carried out without draining the system. The non-return valve also prevents reversed flow during operation.

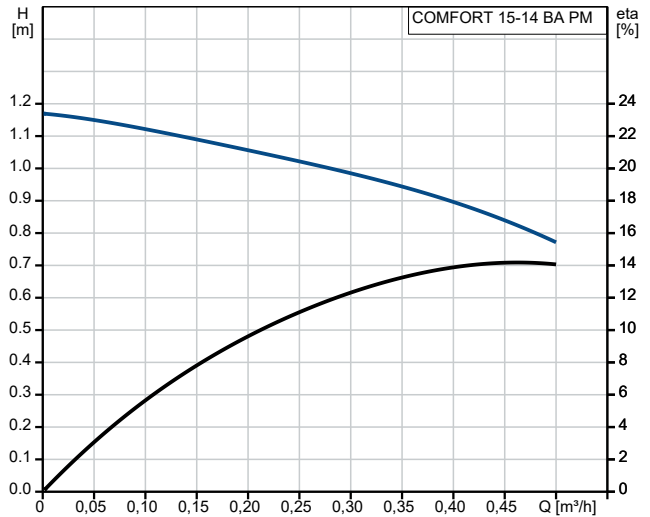
97916757 COMFORT 15-14 BA PM



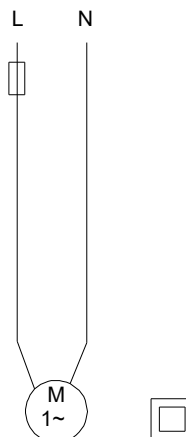
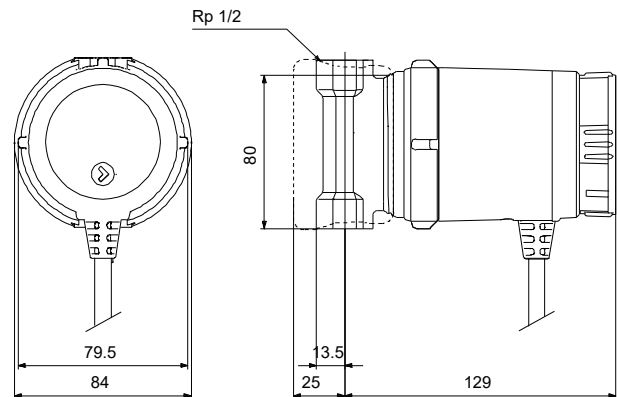
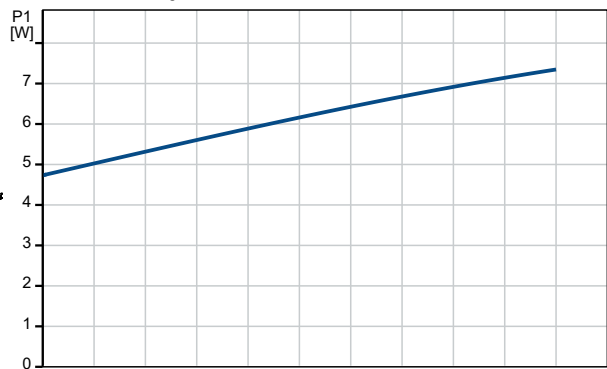
Dizana tečnost = voda
Temperatura tečnosti tokom rada = 60 °C
Gustina = 983.2 kg/m³



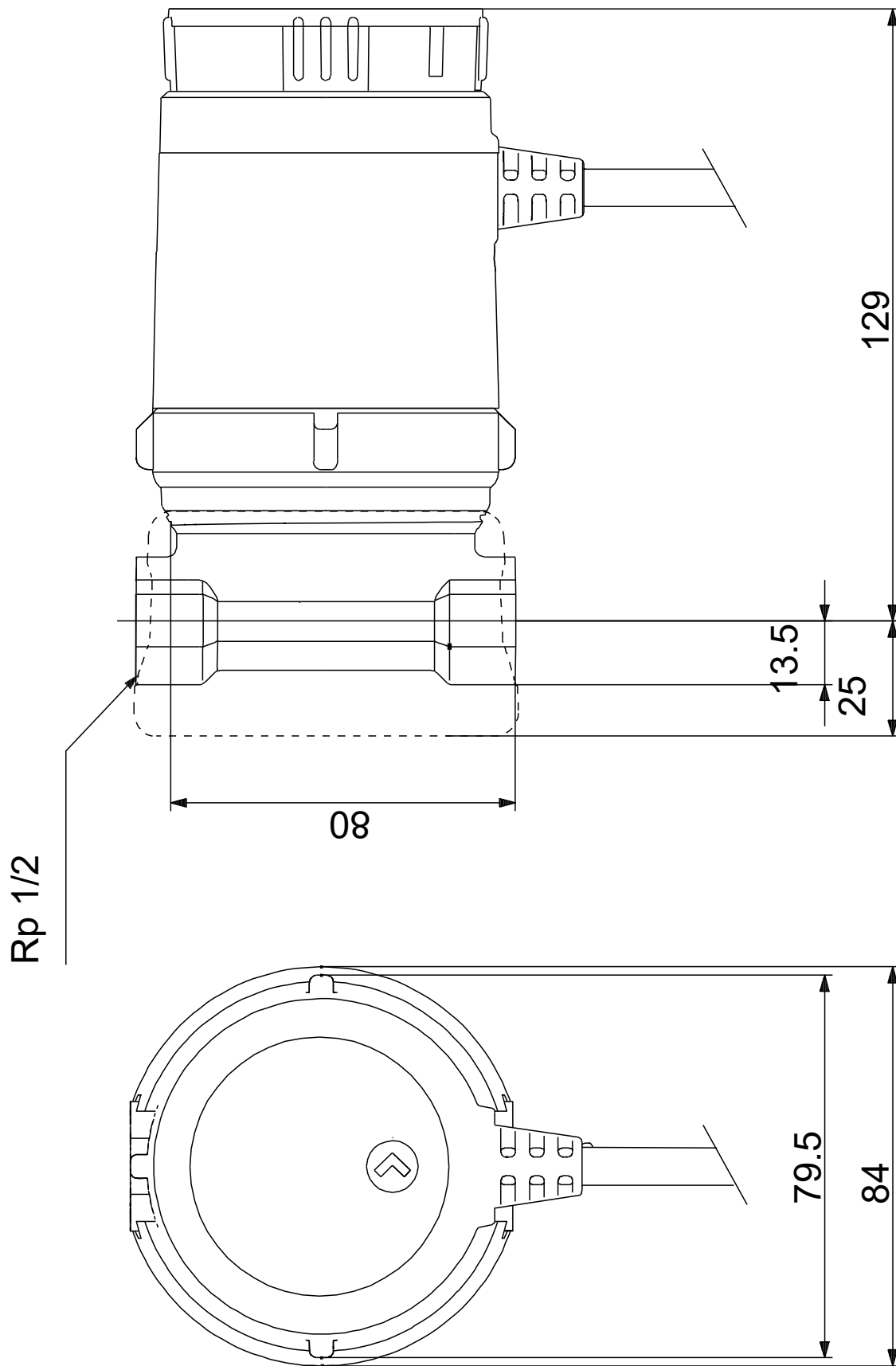
Opis	Vrednost
Opšte informacije:	
Ime proizvoda::	COMFORT 15-14 BA PM
Šifra proizvoda:	97916757
EAN broj::	5710626363506
Tehnički:	
Broj brzina:	1
Nazivni protok:	0.41 m ³ /h
Rated head:	0.9 m
Maximum head:	14 dm
TF klasa:	95
Approvals:	CE, VDE, EAC, WEEE
Materijali:	
Kučiče pumpe:	Mesing
Pump housing:	CuZn39Pb3, MS58
Rotor:	Kompozitni
Radno kolo:	PES+30% GF
Ugradnja:	
Minimum ambient temperature:	0 °C
Maksimalni radni pritisak:	10 bar
Type of connection:	Rp
Size of connection:	1/2 inch
Pressure rating for connection:	PN 10
Port-to-port length:	80 mm
Tečnost:	
Dizana tečnost:	voda
Raspon temperature tečnosti:	2 .. 95 °C
Selected liquid temperature:	60 °C
Gustina:	983.2 kg/m ³
Elektro podaci:	
Max. ulazna snaga:	7 W
Frekvencija struje:	50 / 60 Hz
Rated voltage:	1 x 230 V
Utrošak struje u brzini 3:	0.07 A
Veličina kondenzatora - radni:	0.6 µF
Klasa zaštite (IEC 34-5):	IP44
Insulation class (IEC 85):	F
Built-in motor protection:	ELEKT.
Termička zaštita:	Impedansna zaštita
Kontrole:	
Operation mode include:	Temperatura
Ostali:	
Net weight:	0.98 kg
Gross weight:	1.08 kg
Shipping volume:	0.003 m ³
Danski VVS Br.:	380634014
Swedish RSK No.:	5803088
Norwegian NRF no.:	9042115
Country of origin:	DE
Custom tariff no.:	84137030



Dizana tečnost = voda
 Temperatura tečnosti tokom rada = 60 °C
 Gustina = 983.2 kg/m³



97916757 COMFORT 15-14 BA PM



Napomena! Sve jedinice su u [mm]ukoliko drugačije nije navedeno.
Upozorenje: Ovaj pojednostavljeni dimenzioni crtež ne pokazuje sve detalje.